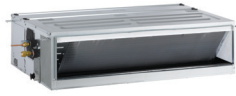


## COMPACT INVERTER (R32)

MID STATIC PRESSURE

- CM18F / CM24F / UM30F / UM36F



UUA1 ULO

UUB1 U20

UUC1 U40



LG participates in the ECP programme for EUROVENT AC program.  
Check ongoing validity of certification  
: [www.eurovent-certification.com](http://www.eurovent-certification.com)

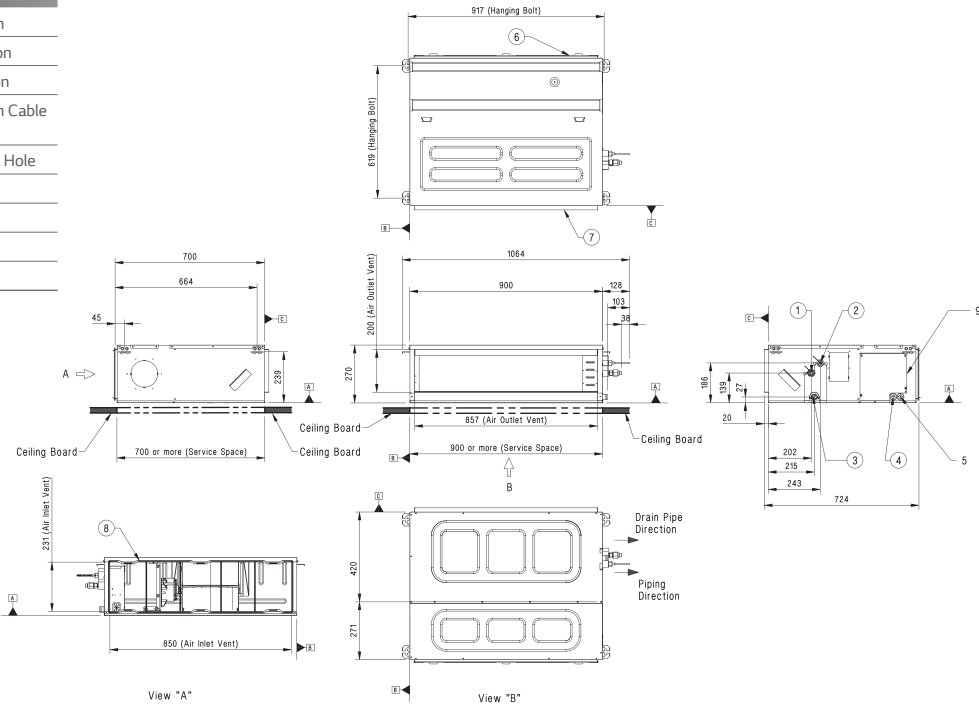
COMBINATION				18	24	30	36
Capacity	Cooling	Min. / Rated / Max.	kW	1.8/5.0/5.6	2.7/6.8/7.5	3.0/7.5/8.3	3.8/9.5/10.5
	Heating	Min. / Rated / Max.	kW	2.2/5.5/6.7	3.0/7.4/8.5	3.2/8.0/8.8	4.3/10.8/11.5
Power Input (Set)	Cooling	Min. / Rated / Max.	kW	0.35/1.67/1.92	0.50/2.34/2.81	0.50/2.57/3.08	0.60/3.16/3.86
	Heating	Min. / Rated / Max.	kW	0.32/1.58/1.77	0.40/2.17/2.82	0.50/2.25/2.93	0.60/3.03/3.48
Running Current	Cooling	Rated	A	7.4	10.3	11.0	14.0
	Heating	Rated	A	7.0	9.7	9.7	13.4
EER / COP			kWh / kWh	3.00 / 3.50	2.91 / 3.41	2.92 / 3.56	3.01 / 3.57
SEER / SCOP			kWh / kWh	6.1 / 3.8	5.8 / 4.1	5.6 / 3.9	5.9 / 4.0
Pdesign	Cooling @ 35°C		kW	5	6.8	7.5	9.5
	Heating @ -10°C		kW	2.8	4.1	4.3	5.5
Seasonal Energy Label	Cooling / Heating		-	A++ / A	A+ / A+	A+ / A	A+ / A+
Annual Energy Consumption	Cooling / Heating		kWh	287 / 1,032	410 / 1,400	469 / 1,544	564 / 1,924
Dehumidification Rate			l/h	1.2	2.5	2.6	3.2
ODU Sound Pressure Level	Cooling / Heating	Rated	dB(A)	49 / 52	48 / 53	50 / 54	54 / 56
ODU Sound Power Level	Cooling	Rated	dB(A)	65	65	67	70
Piping Connections	Liquid		mm (inch)	Ø6.35 (1/4)	Ø9.52 (3/8)	Ø9.52 (3/8)	Ø9.52 (3/8)
	Gas		mm (inch)	Ø12.7 (1/2)	Ø15.88 (5/8)	Ø15.88 (5/8)	Ø15.88 (5/8)
	Connections Method		-	Flared	Flared	Flared	Flared
Operation Range (Outdoor)	Cooling	Min. / Max.	°C	-10 / 50	-10 / 48	-10 / 48	-20 / 50
	Heating	Min. / Max.	°C	-10 / 18	-15 / 18	-15 / 18	-15 / 18
<b>INDOOR</b>				<b>CM18F N10</b>	<b>CM24F N10</b>	<b>UM30F N10</b>	<b>UM36F N20</b>
Power Supply			Ø / V / Hz	1 / 220-240 / 50	1 / 220-240 / 50	1 / 220-240 / 50	1 / 220-240 / 50
Power Input (IDU)		H / M / L	W	150 / 130 / 110	180 / 150 / 130	220 / 200 / 180	183 / 134 / 101
Air Flow Rate		H / M / L	m <sup>3</sup> /min	16.5 / 14.5 / 13	18 / 16.5 / 14.5	22 / 20 / 18	32 / 28 / 24
Dimensions	Body	W x H x D	mm	900 x 270 x 700	900 x 270 x 700	900 x 270 x 700	1,250 x 270 x 700
Weight	Body		kg	24.6	24.6	26.2	38.5
Sound Pressure Level	Cooling	H / M / L	dB(A)	34 / 32 / 30	35 / 34 / 32	37 / 35 / 34	36 / 34 / 33
Sound Power Level	Cooling	Max.	dB(A)	59	60	62	60
Piping Connections	Drain (Natural Drainage)	O.D. / I.D.	mm	Ø25.4 / 19.4	Ø25.4 / 19.4	Ø25.4 / 19.4	Ø25.4 / 19.4
	Drain (Using Drain Pump)	O.D. / I.D.	mm	Ø32.0 / 26.0	Ø32.0 / 26.0	Ø32.0 / 26.0	Ø32.0 / 26.0
<b>OUTDOOR</b>				<b>UUA1 ULO</b>	<b>UUB1 U20</b>	<b>UUC1 U40</b>	
Power Supply			Ø / V / Hz	1 / 220-240 / 50	1 / 220-240 / 50	1 / 220-240 / 50	
Circuit Breaker		Min.	A	15	20	25	
Power Supply Cable (Included Earth)			No x mm <sup>3</sup>	3C x 1.5	3C x 2.5	3C x 2.5	
Dimensions	Net	W x H x D	mm	770 x 545 x 288	870 x 650 x 330	950 x 834 x 330	
Weight	Net		kg	33.3	44.5	57.7	
Compressor	Type		-	Twin Rotary	Twin Rotary	Twin Rotary	
	Type		-	R32	R32	R32	
Refrigerant	GWP (Global Warming Potential)		-	675	675	675	
	Precharged Amount		kg	1	1.2	1.9	
	t-CO <sub>2</sub> eq		-	0.675	0.81	1.283	
	Additional Charge (After 7.5m)		g/m	20	40	40	
Fan	Air Flow Rate	Rated	m <sup>3</sup> /min x No.	28 x 1	50 x 1	58 x 1	
Total Piping Length		Min. / Max.	m	5 / 30	5 / 35	5 / 50	
Piping Elevation	IDU - ODU	Max.	m	30	30	30	

**STANDARD / COMPACT INVERTER (R32) / MID STATIC**

**CM18F N10 / CM24F N10 / UM30F N10**

(Unit : mm)

PART NAME	
1	Gas Pipe Connection
2	Liquid Pipe Connection
3	Drain Pipe Connection
4	Power and Communication Cable Hole
5	Remote Controller Cable Hole
6	Air Inlet
7	Air Outlet
8	Air Filters
9	Control Cover

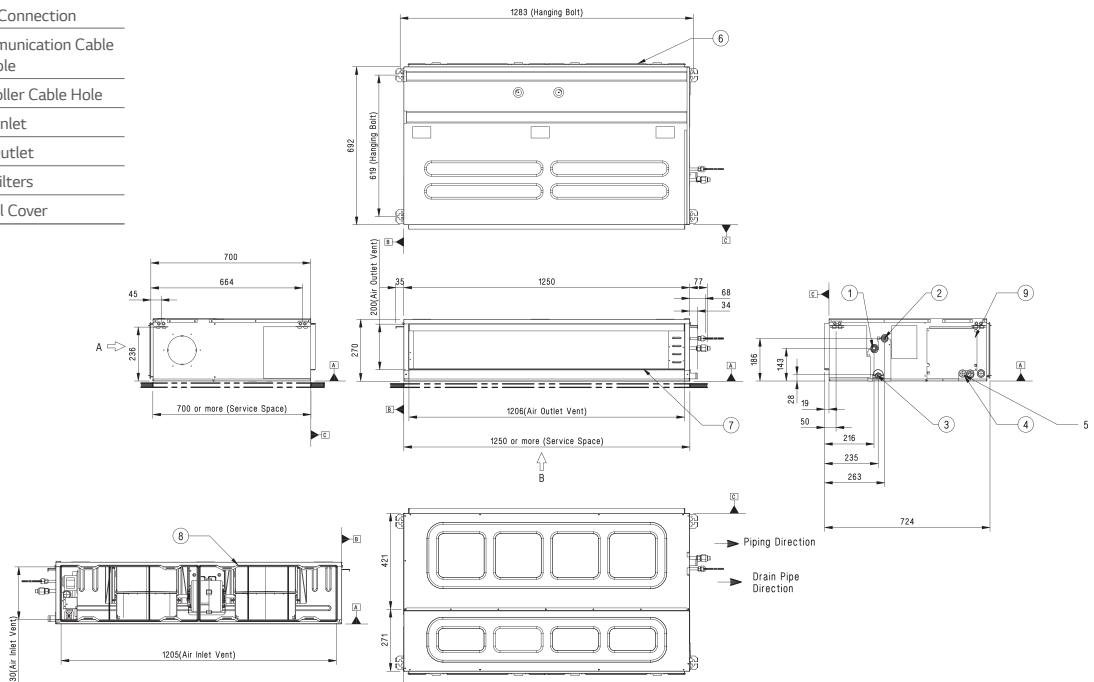


**STANDARD / COMPACT INVERTER (R32) / MID STATIC**

**UM36F N20**

(Unit : mm)

PART NAME	
1	Gas Pipe Connection
2	Liquid Pipe Connection
3	Drain Pipe Connection
4	Power and Communication Cable Hole
5	Remote Controller Cable Hole
6	Air Inlet
7	Air Outlet
8	Air Filters
9	Control Cover

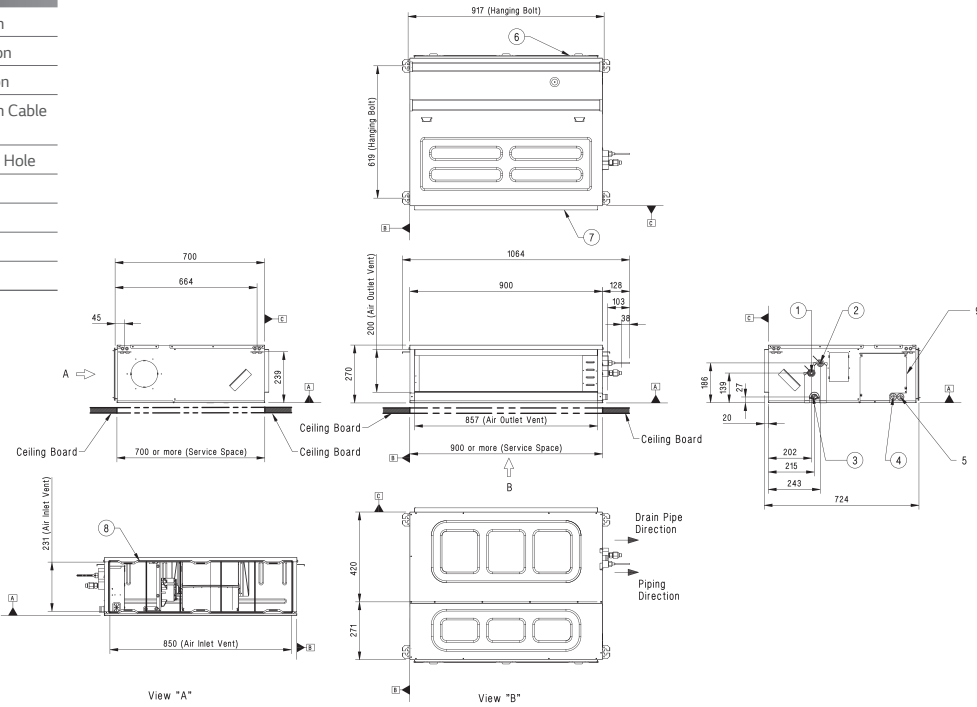


**STANDARD / COMPACT INVERTER (R32) / MID STATIC**

**CM18F N10 / CM24F N10 / UM30F N10**

(Unit : mm)

PART NAME	
1	Gas Pipe Connection
2	Liquid Pipe Connection
3	Drain Pipe Connection
4	Power and Communication Cable Hole
5	Remote Controller Cable Hole
6	Air Inlet
7	Air Outlet
8	Air Filters
9	Control Cover



**STANDARD / COMPACT INVERTER (R32) / MID STATIC**

**UM36F N20**

(Unit : mm)

PART NAME	
1	Gas Pipe Connection
2	Liquid Pipe Connection
3	Drain Pipe Connection
4	Power and Communication Cable Hole
5	Remote Controller Cable Hole
6	Air Inlet
7	Air Outlet
8	Air Filters
9	Control Cover

