



LG COMMERCIAL LAUNDRY

EMERGENCY BUTTON

TOP-MOUNTED DISPENSER

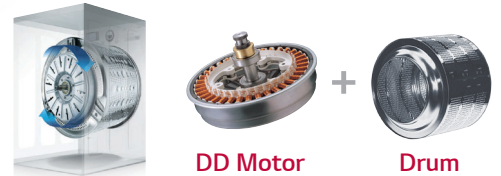
AUTO DOSING INTERFACE READY



**TITAN-C
WASHER**

INVERTER DIRECT DRIVE™

Unlike the traditional belt and pulley system, the LG commercial laundry drum is directly attached to the motor providing superior durability and reliability. Fewer parts equals fewer repairs.



DD Motor

Drum

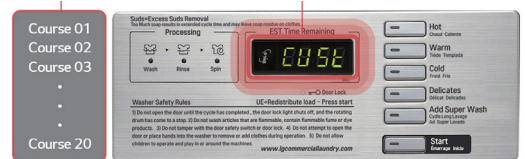
ATOMIZING SYSTEM

The Atomizing nozzle sprays fresh water onto the clothes and the door. This helps produce a rapid fill so clothes are soaked sooner and longer providing a better washing performance. It also cleans the door glass every time the water sprays on it, reducing your burden of cleaning any excess soap residue.



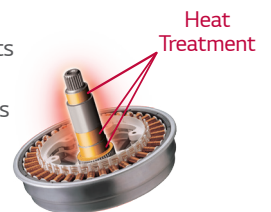
CUSTOMIZED CYCLES

Users can design their own cycles, selecting washing time, rinse time, water level, etc. and save up to 20 wash cycles to provide optimized washing performance.



MULTI HEAT TREATMENT

To ensure superior performance LG heat treats the shaft which connects our drums and motors. This protects against gradual wear and tear.



PUMP / GRAVITY DRAIN AVAILABLE

You can choose the suitable drain type for your site.

TITAN-C WASHER SPECIFICATIONS

| | | Non-Heater TCW2013*** / FH0C7FD** | Heater FH0C7FD3S |
|--|--|--------------------------------------|---------------------|
|--|--|--------------------------------------|---------------------|

CYLINDER

| | | | |
|-------------|-----------|--------------|--------------|
| Drum Volume | cu.ft (ℓ) | 5.2 (147) | 5.2 (147) |
| Diameter | in. (mm) | 24 (610.8) | 24 (610.8) |
| Depth | in. (mm) | 20.4 (518.1) | 20.4 (518.1) |

DIMENSIONS

| | | | |
|-------------------------|----------|-----------------------------|-----------------------------|
| Product (WxHxD) | in | 29 x 40.8 x 32 | 29 x 40.8 x 32 |
| | mm | 737 x 1,036 x 814 | 737 x 1,036 x 814 |
| With Door Open | in. (mm) | 53 (1,370) | 53 (1,370) |
| Carton (WxHxD) | in | 31 x 44.3 x 33.3 | 31 x 44.3 x 33.3 |
| | mm | 788 x 1,125 x 846 | 788 x 1,125 x 846 |
| Weight (Product/Carton) | lb (kg) | 221.8 (100.6) / 248 (112.5) | 221.8 (100.6) / 248 (112.5) |

SPEED

| | | | |
|----------------------|-----|-----|-----|
| Wash | RPM | 46 | 46 |
| Extract (High Speed) | RPM | 980 | 980 |
| G-force | G | 327 | 327 |

RATING

| | | | |
|------------------|--------|--------------|------------------|
| Electric Ratings | V/Hz/A | 120/60/5 | 220-240/50/14-17 |
| | | 220-240/50/5 | |
| | | 220/60/5 | |

*CONSUMPTION INDEX¹⁾

| | | | |
|-------------|----------|----------|----------|
| Water | gal (l) | 15.6(59) | 12.4(47) |
| Electricity | kWh/hour | 0.5 | 3.2-3.8 |

NOISE & CYCLE TIME

| | | | |
|---------------------------------------|-----|---------------|---------------|
| Noise Level (Sound Power) | dB | Lower than 62 | Lower than 62 |
| Program Duration in Minutes (Default) | min | 37 | 59 |

SYSTEM & CONTROL

| | | | |
|-----------------------------|---|--|--------------------|
| Inverter Direct Drive Motor | | O | O |
| Heating Element | W | 120V 1,000 (Only for Tub Clean) 220V 2,000 (Only for Tub Clean) | 3,200 |
| Drain System | | Gravity Drain/Pump Drain* (NA Only) | Gravity Drain |
| Emergency Stop Button | | O (OPL Only) | O (OPL Only) |
| Auto Dosing Interface | | O | O |
| Damper | | 4 Friction Dampers | 4 Friction Dampers |

PROGRAMS

| | | |
|--------------|---|------------------------------------|
| Program List | Hot | 90°C |
| | Warm | 75°C |
| | Cold | 60°C |
| | Delicates | 40°C/30°C |
| | Add Super Wash (Card & Coin)/ Custom PGM (OPL) | Cold * Custom PGM ²⁾ |

EXTERNAL FINISH

| | | |
|------|-----------------|-----------------|
| Drum | Stainless Steel | Stainless Steel |
|------|-----------------|-----------------|

CIRCUIT PROTECTION

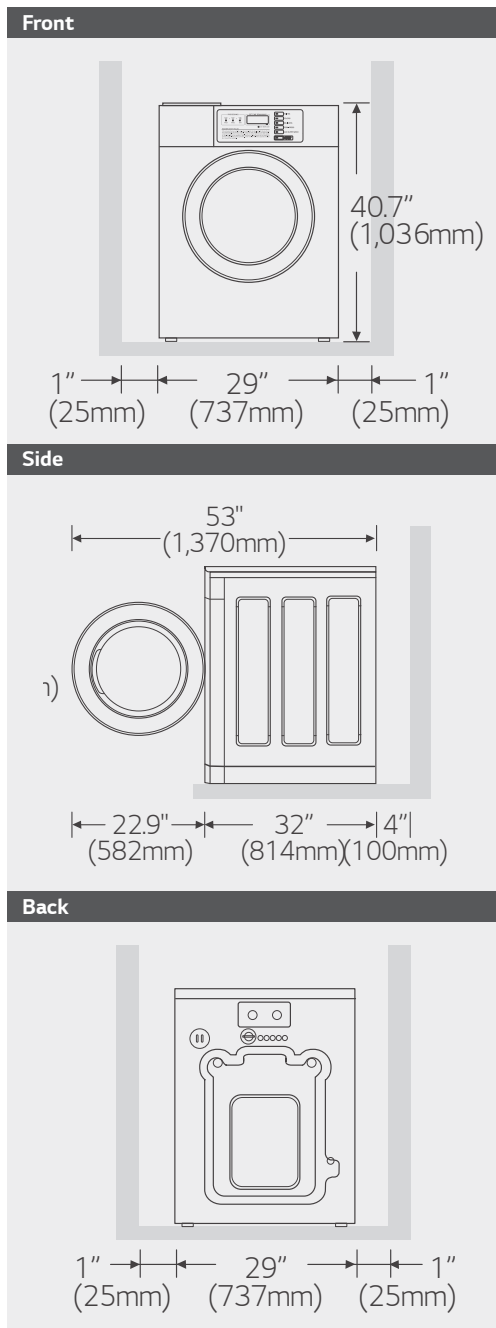
| | | | |
|-------------------------------|------|---------------|---------------|
| PCB Fuse - Main Control Board | amps | 12 (220-240V) | 12 (220-240V) |
| PCB Fuse - Filter Assembly | amps | 15 | 15 |

* Dimensions and weights are approximate. * Design, features and specifications subject to change without notice.

* Some models may not be available for sale in certain countries. * Model name may vary by country.

1) Without loading / Default water level (Non heater / Heater) : High / Mid

2) When you press button for 3 seconds, Cold cycle will be changed to Custom PGM. (Cold for coin model, Custom PGM for OPL model)



PRODUCT IMAGE



Coin Type

Card Type

OPL Type

