

WHO WANTS TO BE A MILLIONAIRE?

SELL MORE, SERVICE LESS



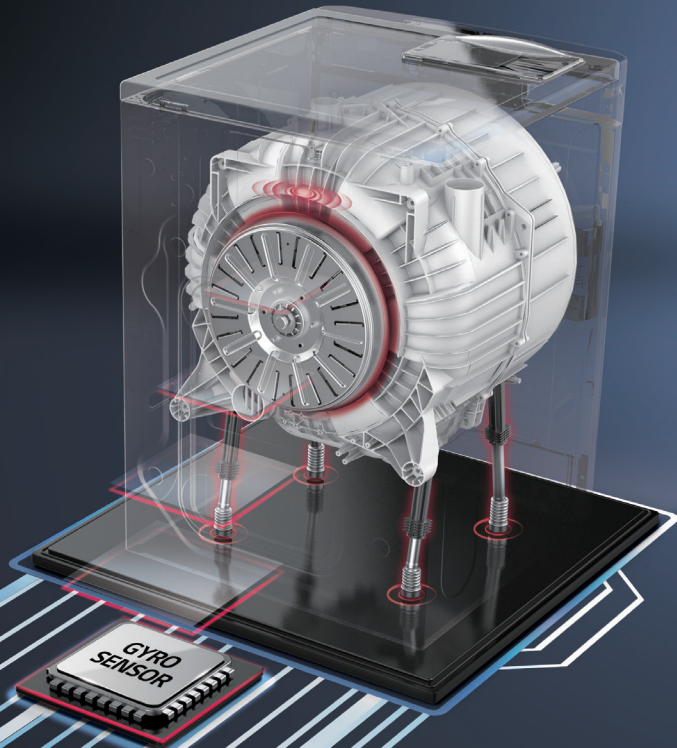
More Efficiency



More Convenience



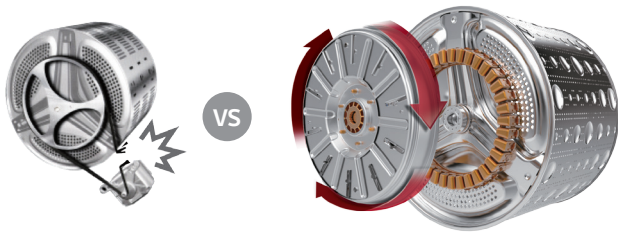
More Intelligence



GIANT C FAST CORE BENEFITS

LG Inverter Direct Drive Motor™

Pulley-less motor



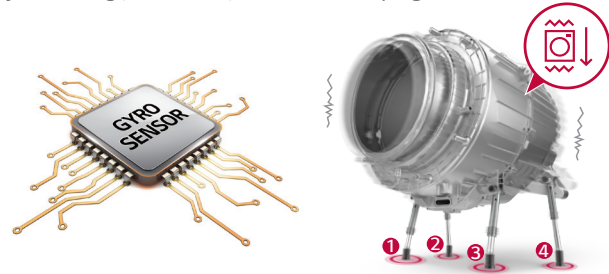
More Efficiency



LG Direct Drive Motor provides superior durability and reliability.

Gyro Balance System (GBS)

Gyro sensing(6dimesion) + Quadra damping



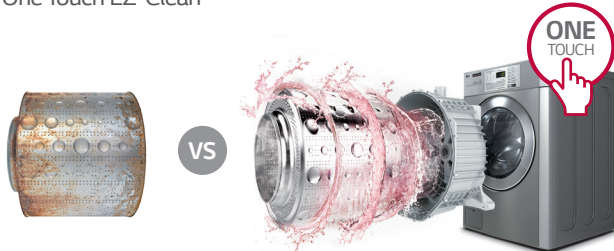
More Intelligence



LG Gyro Balance System provides optimized performance through advanced algorithm.

Soilfree System

One Touch EZ-Clean



More Convenience



Soilfree System provides easy tub clean management.

LG Smart Solution ThinQ™

Smart Assistance



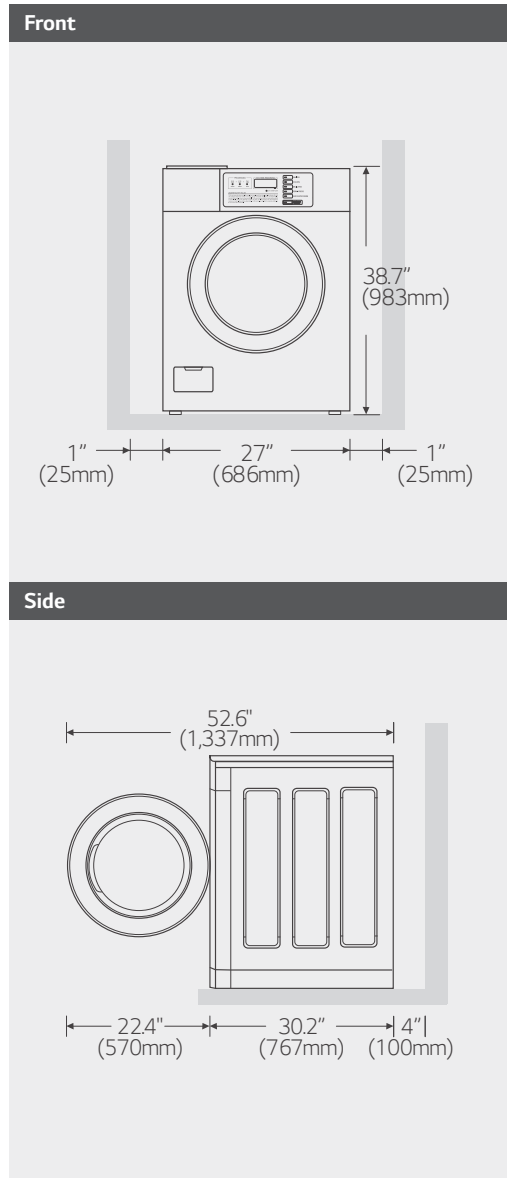
More Intelligence



Real-time notification and monitoring of laundry status.

GIANT-C WASHER SPECIFICATIONS

| | | Non Heater Type | Heater Type |
|--|---|---|--------------------------------|
| CYLINDER | | | |
| Drum Volume | cu.ft (℥) | 3.7 (104) | 3.7 (104) |
| Diameter | in. (mm) | 22.1 (560) | 22.1 (560) |
| Depth | in. (mm) | 16.5 (419.3) | 16.5 (419.3) |
| DIMENSIONS | | | |
| Product (WxHxD) | in | 27 x 38.7 x 30.2 | 27 x 38.7 x 30.2 |
| | mm | 686 x 983 x 767 | 686 x 983x 767 |
| With Door Open | in. (mm) | 52.6 (1,337) | 52.6 (1,337) |
| Carton (WxHxD) | in | 29.7 x 44.4 x 31.3 | 29.7 x 44.4 x 31.3 |
| | mm | 755 x 1,127 x 795 | 755 x 1,127 x 795 |
| Weight (Product/Carton) | lb (kg) | 191.8 (87) / 211.6 (96) | 191.8 (87) / 211.6 (96) |
| SPEED | | | |
| Wash | RPM | 40-50 | 40-50 |
| Extract (High Speed) | RPM | 1200 | 1200 |
| G-force | G | 449 | 449 |
| RATING | | | |
| Electric Ratings | V/Hz/A | 120/60/5 | - |
| | | 220-240/50/5 | 220-240/50/15-17.5 |
| | | 220/60/5 | - |
| *CONSUMPTION INDEX¹⁾ | | | |
| Water | gal (l) | 13.2(50) | 12(45.5) |
| Electricity | kW/hour | 0.5 | 3.6-3.8 |
| NOISE & CYCLE TIME | | | |
| Noise Level (Sound Power) | dB | Lower than 57 | Lower than 57 |
| Program Duration in Minutes (Default) | min | 36 | 60 (60°C Course) ²⁾ |
| SYSTEM & CONTROL | | | |
| Inverter Direct Drive Motor | | O | O |
| Heating Element | W | Tube Clean Only 120V Region : 1,000 220-240V Region : 2,000 | 3,200 |
| Drain System | | Pump drain | |
| PROGRAMS | | | |
| Program List | Hot | 90°C (194°F) | |
| | Warm | 75°C (167°F) | |
| | Cold | 60°C (140°F) | |
| | Delicates | 40°C (104°F) | |
| | Add Super Wash (Card & Coin)/ Custom PGM (OPL) | Cold * Custom PGM ³⁾ | |
| EXTERNAL FINISH | | | |
| Drum | | Stainless Steel | Stainless Steel |
| CIRCUIT PROTECTION | | | |
| PCB Fuse - Main Control Board | amps | 12 (220-240V) | 12 (220-240V) |
| PCB Fuse - Filter Assembly | amps | 15 | 15 |



* Dimensions and weights are approximate. * Design, features and specifications subject to change without notice.
 * Some models may not be available for sale in certain countries. * Model name may vary by country.
 1) Without loading / Default water level(Non heater / Heater) : High / Mid
 2) Washer detects water temperature and adjusts heating time automatically if hot water supply is available.
 3) When you press button for 3 seconds, Cold cycle will be changed to Custom PGM. (Cold for coin model, Custom PGM for OPL model)

PRODUCT IMAGE



Coin Type



Card / OPL Type



Coin Type



Card / OPL Type



Washer & Dryer Stack Type (Coin, Card/OPL)

